

Type: BR

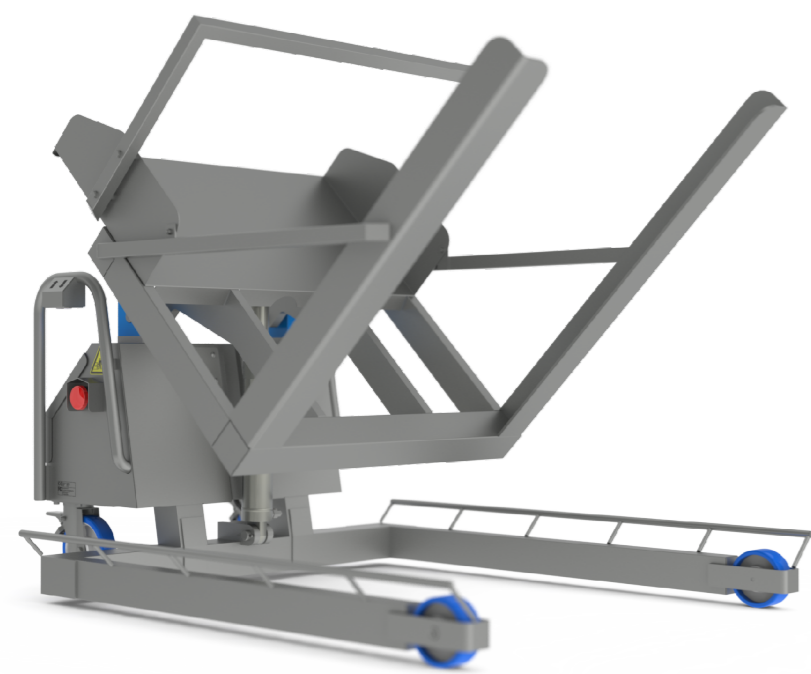
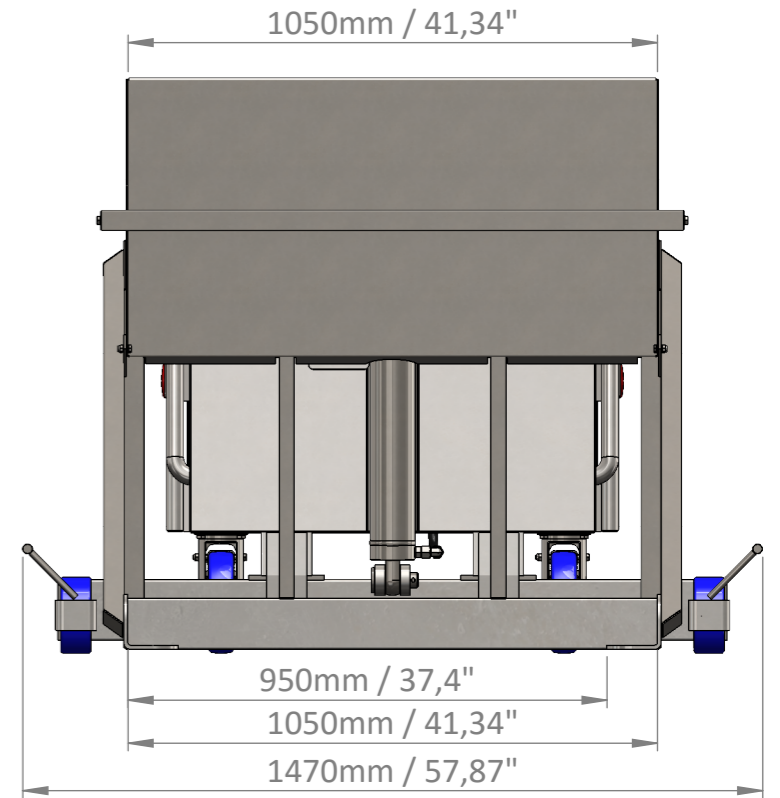
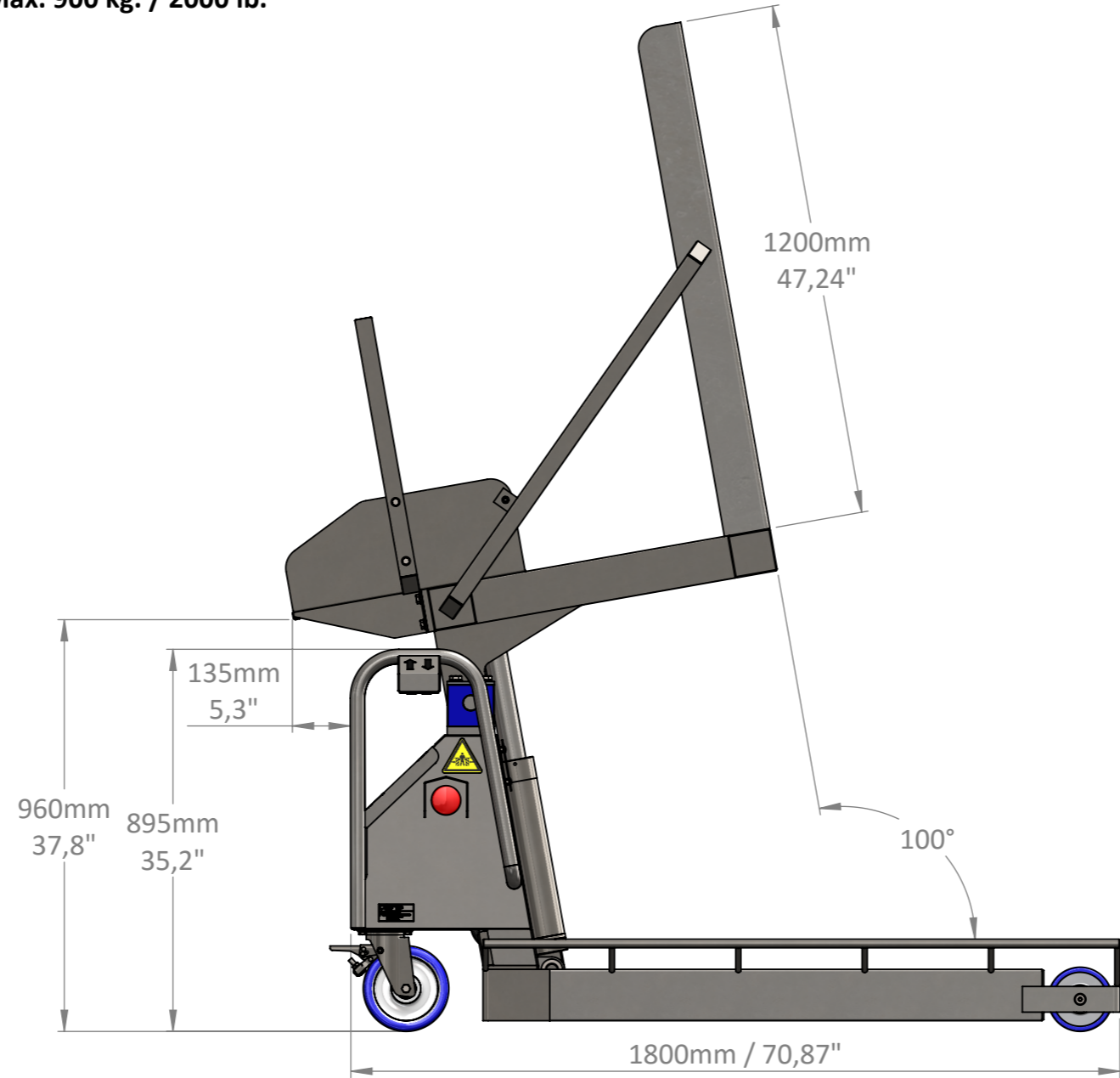
Customizable

Demands:

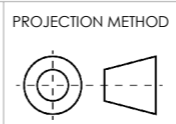
Bin Measures (LxWxH): x x

Bin Weight: _____

Max. 900 kg. / 2000 lb.



DIMENSIONS TOLERANCES:
 LINEAR: ±5mm / ±0.2"
 ANGULAR: ±1°



BACKsaver
 work hard lift smart

DO NOT SCALE DRAWING

	NAME	DATE
DRAWN	RL	25-2-2016
CHK'D	BvO	25-2-2016

Kruisbroeksestraat 17
 5281 RV Boxtel
 the Netherlands
 info@backsaver.nl
 www.backsaver.nl
 Tel. +31(0)411 672652

CLIENT:
 Van Oirschot Roestvrijstaal B.V.

TITLE:
 BSMBR

PROPRIETARY AND CONFIDENTIAL
 THE INFORMATION CONTAINED IN THIS DRAWING IS THE SOLE PROPERTY OF VAN OIRSCHOT ROESTVRIJSTAAL BV - BOXTEL, THE NETHERLANDS. ANY REPRODUCTION IN PART OR AS A WHOLE WITHOUT THE WRITTEN PERMISSION OF VAN OIRSCHOT ROESTVRIJSTAAL BV - BOXTEL, THE NETHERLANDS IS PROHIBITED.

MATERIAL:
 AISI304 (1.4301) AISI316 (1.4404)
 FINISH:
 Glass bead blasting

DWG NO.
 16049
 SCALE:1:15
 SHEET 1 OF 1



A3